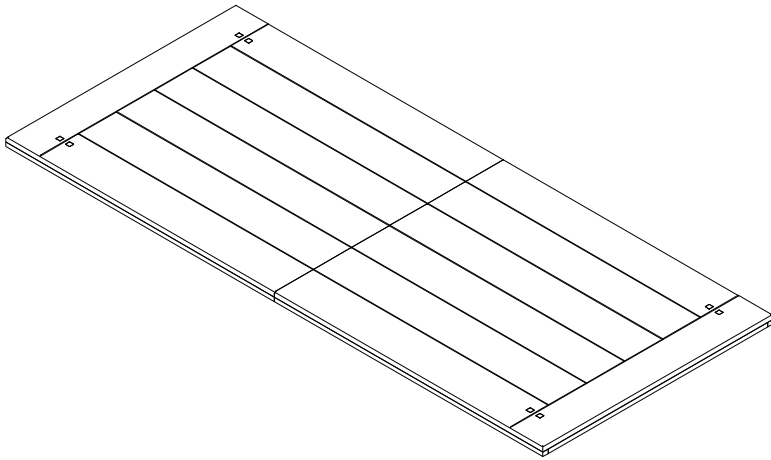


# REVELATION

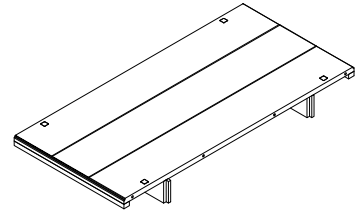
by UTTERMOST

## ASSEMBLY INSTRUCTIONS

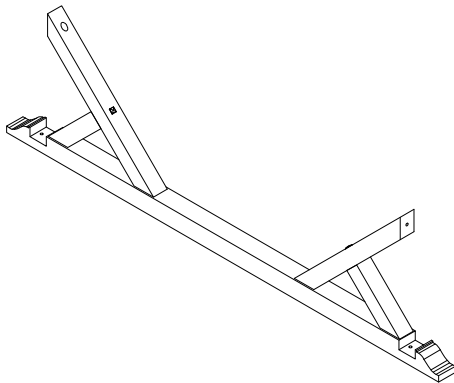
### ASSEMBLY INSTRUCTION FOR ITEM #R22930



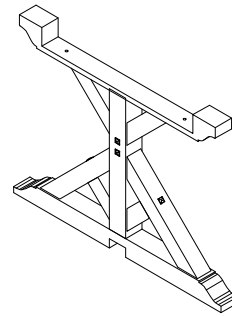
A. Table Top Assembly (1)



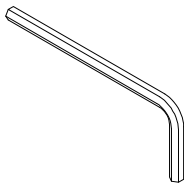
B. Extension Assembly (1)



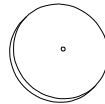
C. Stretcher Assembly (1)



D. Leg Assembly (2)



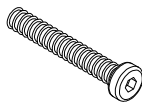
E. Allen Key (1)



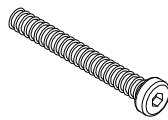
F. Wood Plug (2)



G. JCBC Bolt 5/16  
1-1/2" (4 Pcs)



H. JCBC Bolt  
5/16 2" (2 Pcs)



I. JCBC Bolt 5/16  
2-1/2" (4 Pcs)



J. Flat Washer  
(10 Pcs)



K. Lock Washer  
(10 Pcs)

# REVELATION

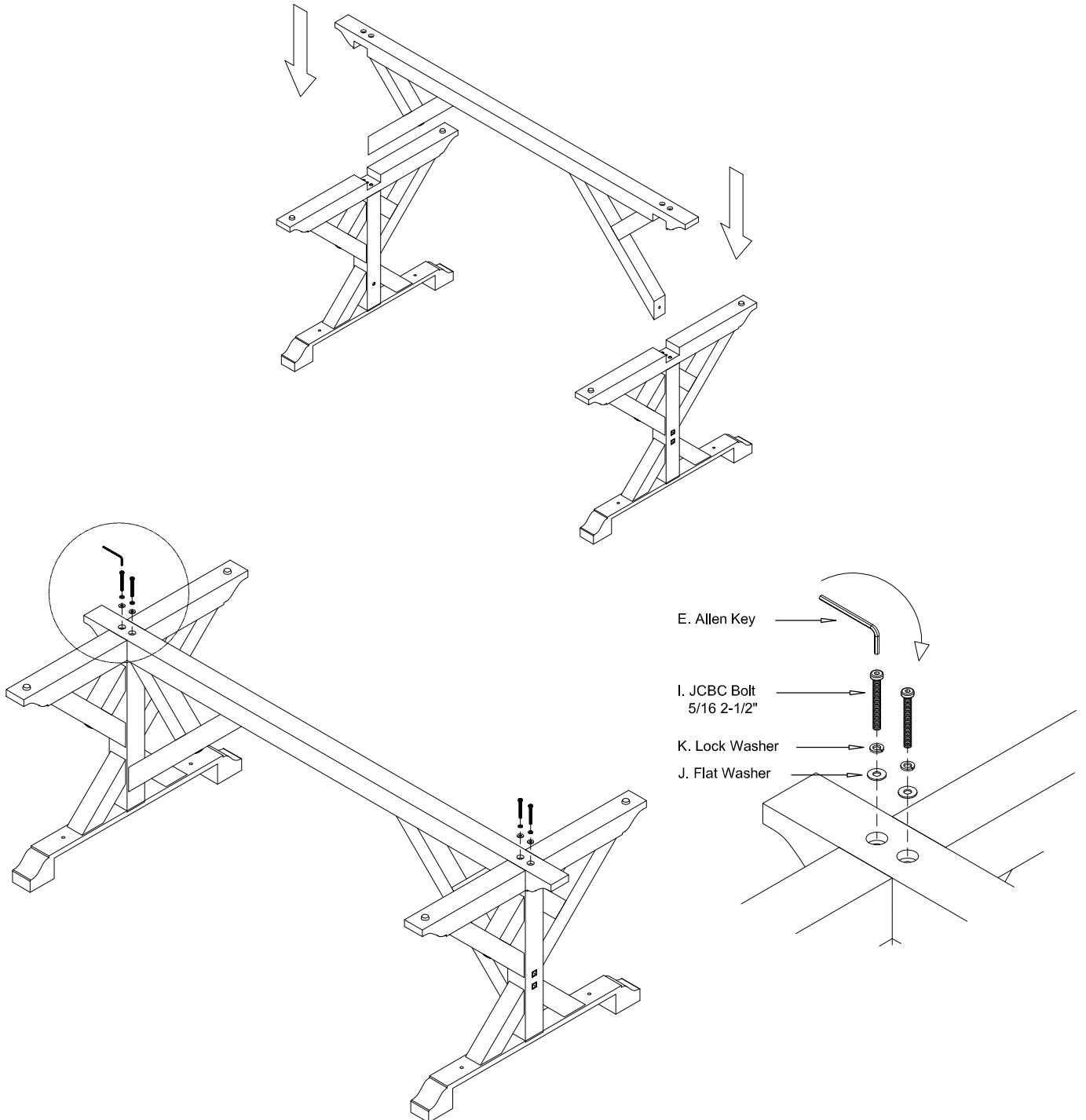
by UTTERMOST

## ASSEMBLY INSTRUCTIONS

1

TWO PERSONS ARE RECOMMENDED FOR THIS STEP

Place Leg Assembly (Part D) upside down and install the Stretcher Assembly (Part C) using JCBC Bolt 5/16 2-1/2" and Allen Key.



# REVELATION

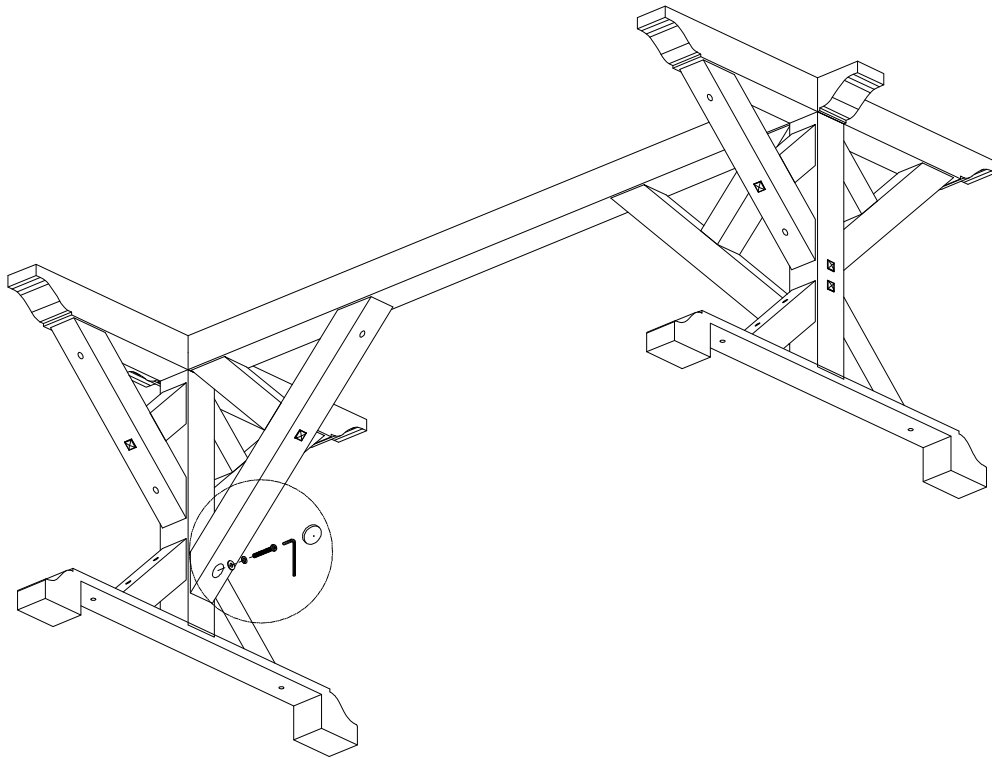
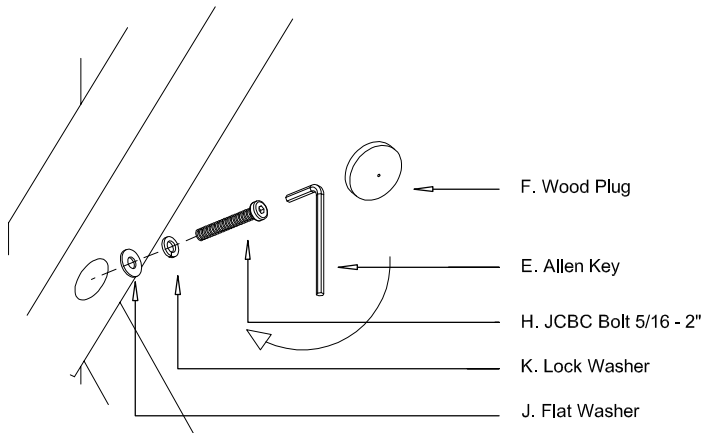
by UTTERMOST

## ASSEMBLY INSTRUCTIONS

**2**

**TWO PERSONS ARE RECOMMENDED FOR THIS STEP**

Install JCBC Bolt  $\frac{5}{16}$  - 2" and cover the hole with plug



# REVELATION

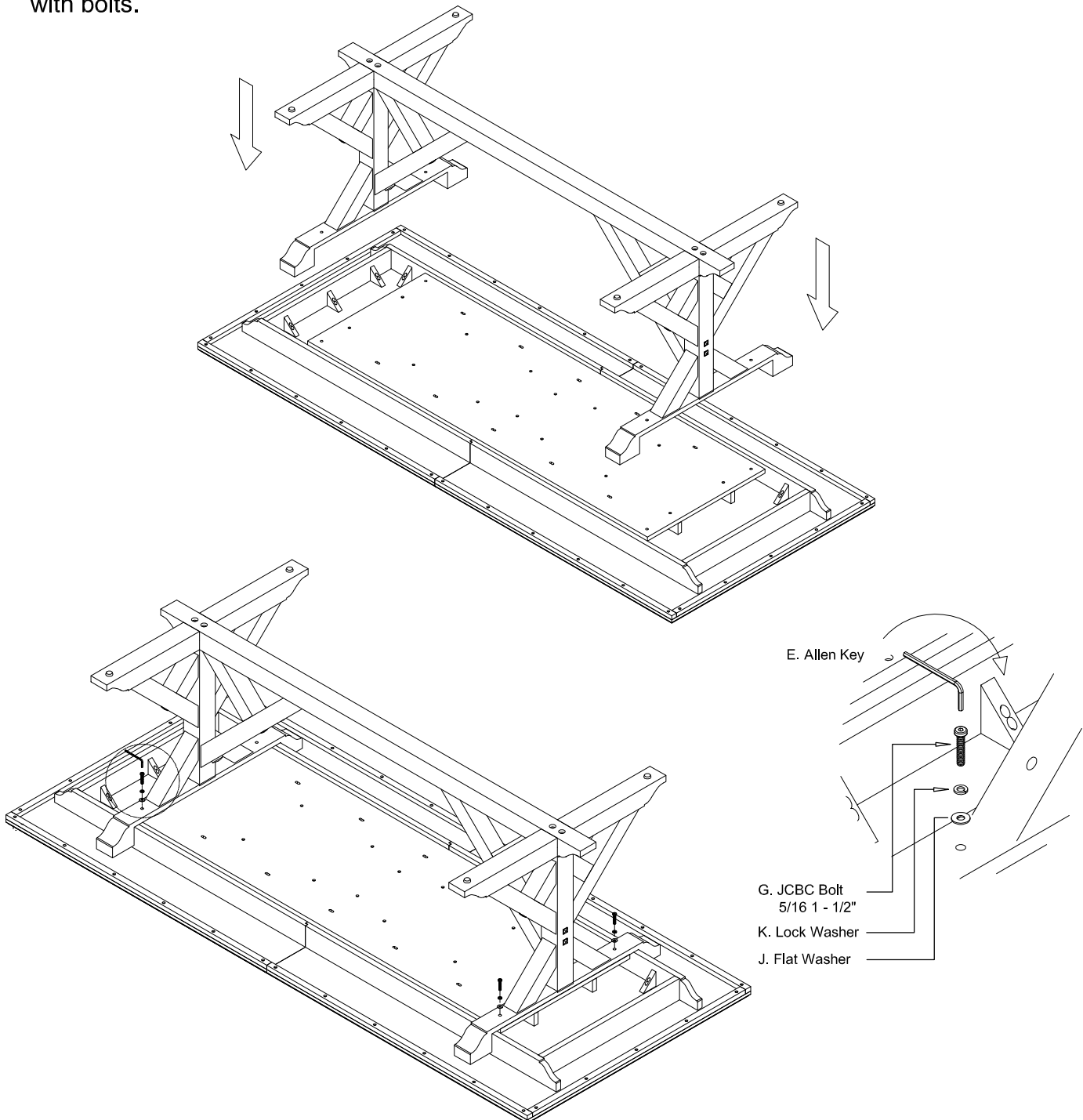
by UTTERMOST

## ASSEMBLY INSTRUCTIONS

3

TWO PERSONS ARE RECOMMENDED FOR THIS STEP

Place a protective surface or pad on the floor first and lay Top Table Assembly (Part A) upside down on the protective surface. Then put the Base Leg that has assembled before and attach with bolts.



# REVELATION

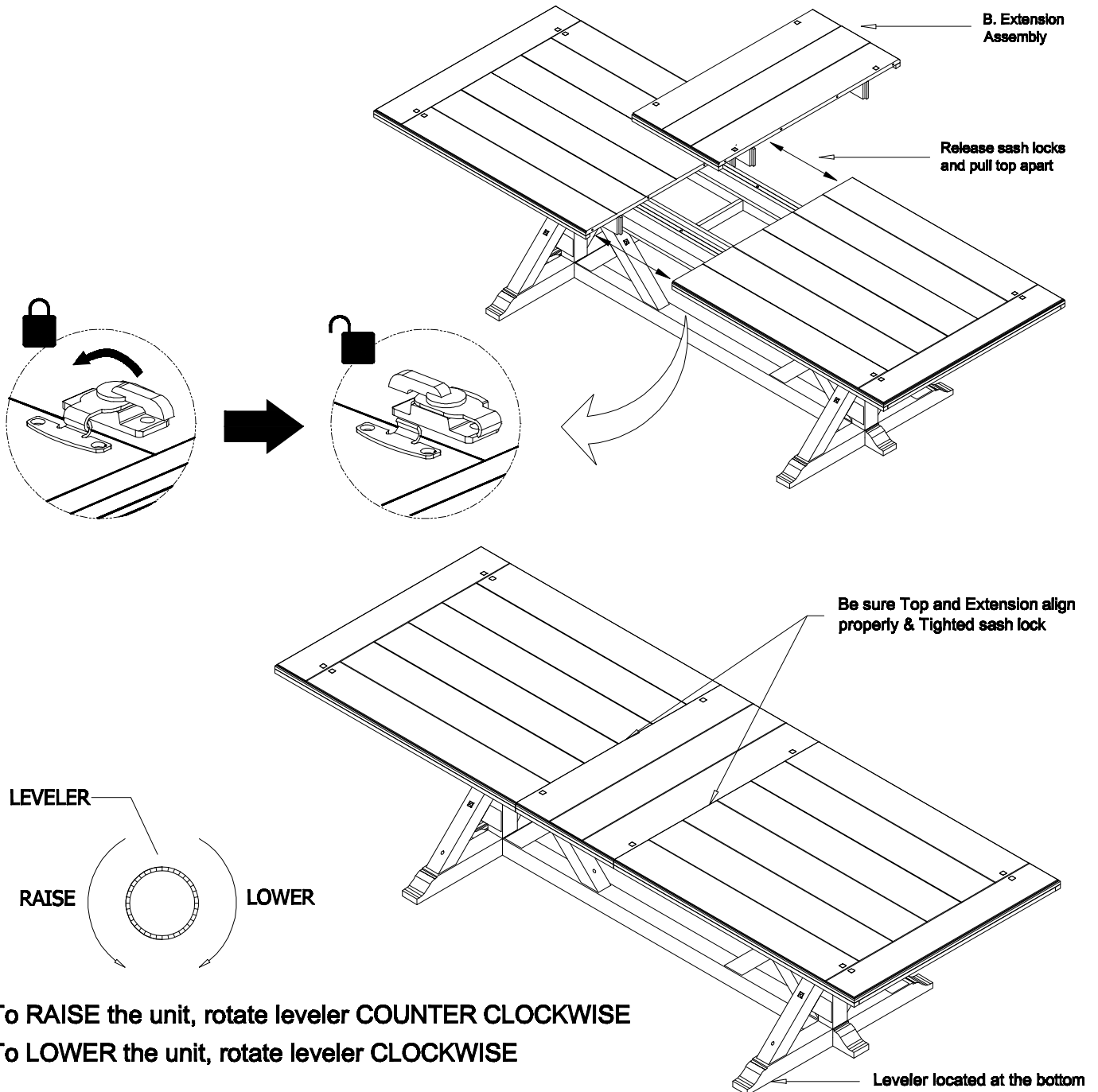
by UTTERMOST

## ASSEMBLY INSTRUCTIONS

**4**

**TWO PERSONS ARE RECOMMENDED FOR THIS STEP**

To attach Extension Assembly (Part B), First make sure two sash lock located underside of the table top are released. Then pull top apart away from each other to create space wider than the Extension Assembly.



To **RAISE** the unit, rotate leveler **COUNTER CLOCKWISE**  
To **LOWER** the unit, rotate leveler **CLOCKWISE**